

**IWAKI AIR PUMPS**
**APN-P110**


## Built-in air pumps assure a long operating time

### Addition of a BLDC motor models to the APN-P110 series

**BLDC motor**

Addition of a BLDC motor models to the APN-P110 series (AC powered motor pumps). Use of a BLDC motor allows the pumps to be fitted to 24VDC power supply free from AC power limitations.

**Standardization**

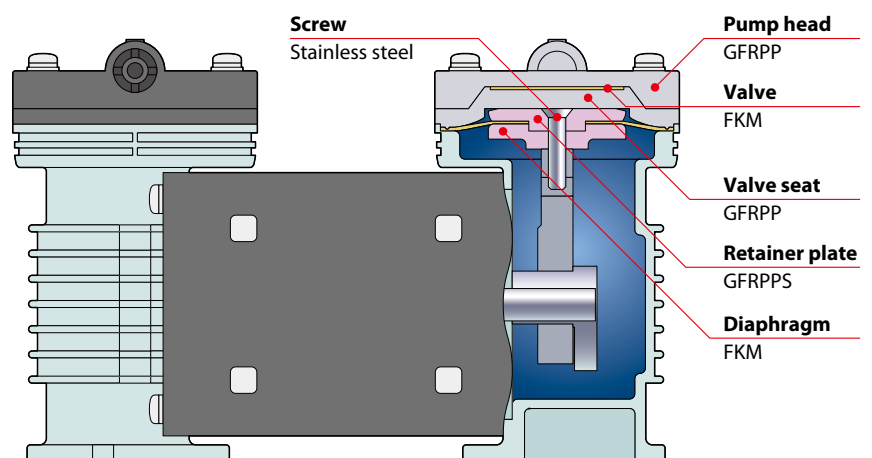
Speed control with 1-5VDC signal

**Parts sharing**

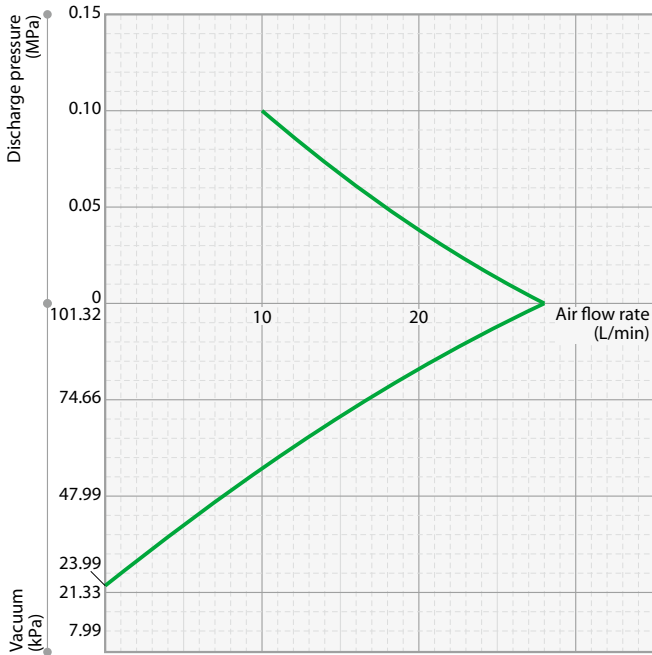
Use of the APN-P110 pump head drastically reduced the needs of parts development.

**Applications**

- Built into medical analysers
- Built into general medical devices
- Built into blood analyzers
- Built into general analyzers

**Construction and materials**


Performance curves

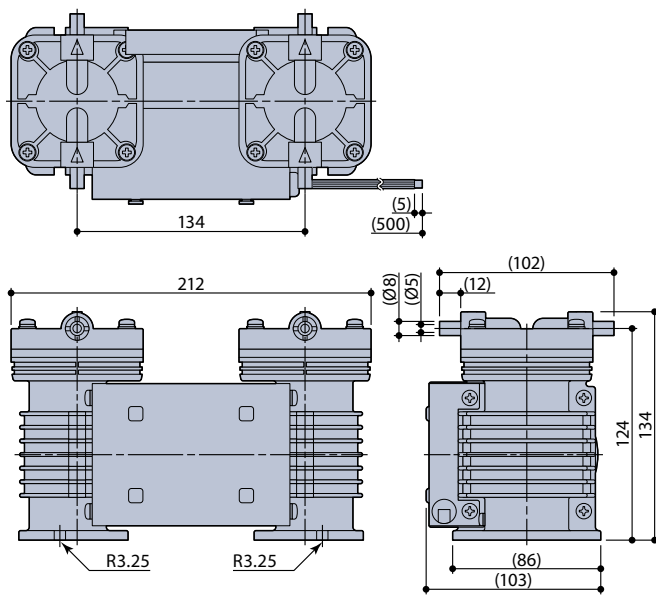


Specifications

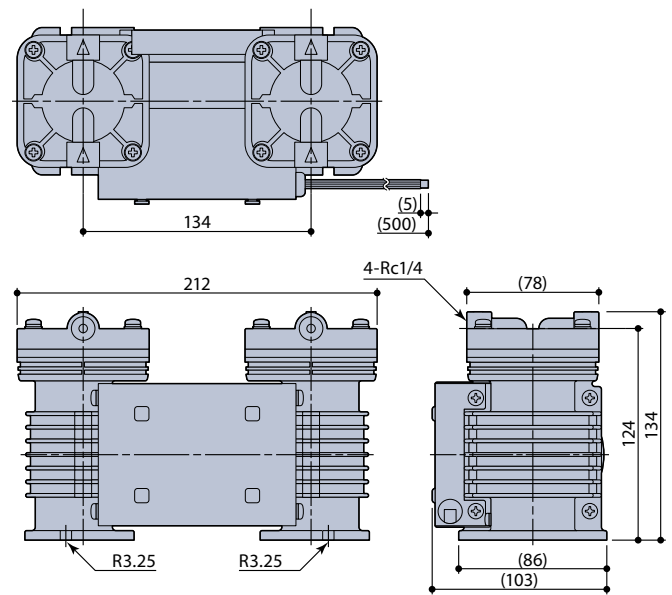
Max. flow	L/min	28
Max. discharge pressure	MPa	0.1
Max. vacuum	kPa	23.99
Handling gas temp.	°C	0 to 40
Output	W	25
Power consumption	W	79.2
Rated current	A	3.3
Rated voltage	V	DC24
Mass	kg	3.3

Dimension in mm

APN-P110LV-D4



APN-P110LVX-D4



IWAKI CO., LTD.

6-6 Kanda-Sudacho 2-chome Chiyoda-ku Tokyo 101-8558 Japan TEL : (81)3 3254 2935 FAX : 3 3252 8892

www.iwakipumps.jp

The posting and copying from this catalogue without permission is not accepted firmly.

European office : IWAKI Europe GmbH  
 Germany : IWAKI Europe GmbH  
 Holland : IWAKI Europe GmbH (Netherlands Branch)  
 Italy : IWAKI Europe GmbH (Italy Branch)  
 Spain : IWAKI Europe GmbH (Spain Branch)  
 Belgium : IWAKI Belgium N.V.  
 Denmark : IWAKI Nordic A/S  
 Finland : IWAKI Suomi Oy  
 France : IWAKI France S.A.  
 Norway : IWAKI Norge AS  
 Sweden : IWAKI Sverige AB  
 U.K. : IWAKI Pumps (UK) Ltd.

TEL: (49)2154 9254 0 FAX: 2154 9254 48  
 TEL: (49)2154 9254 50 FAX: 2154 9254 55  
 TEL: (31)547 293 160 FAX: 547 292 332  
 TEL: (39)0444 371 115 FAX: 0444 335350  
 TEL: (34)93 37 70 198 FAX: 93 47 40 991  
 TEL: (32)13 67 02 00 FAX: 13 67 20 30  
 TEL: (45)48 24 2345 FAX: 48 24 2346  
 TEL: (358)9 2745810 FAX: 9 2742715  
 TEL: (33)1 69 63 33 70 FAX: 1 64 49 92 73  
 TEL: (47)23 38 49 00 FAX: 23 38 49 01  
 TEL: (46)8 511 72900 FAX: 8 511 72922  
 TEL: (44)1743 231363 FAX: 1743 366507

U.S.A. : IWAKI America Inc.  
 Argentina : IWAKI America Inc. (Argentina Branch)  
 Singapore : IWAKI Singapore Pte Ltd.  
 Indonesia : IWAKI Singapore (Indonesia Branch)  
 Malaysia : IWAKI Sdn. Bhd.  
 Australia : IWAKI Pumps Australia Pty Ltd.  
 Hong Kong : IWAKI Pumps Co., Ltd.  
 China : GFTZ IWAKI Engineering & Trading Co., Ltd.  
 : IWAKI Pumps (Shanghai) Co., Ltd.  
 Korea : IWAKI Korea Co., Ltd.  
 Taiwan : IWAKI Pumps Taiwan Co., Ltd.  
 Thailand : IWAKI (Thailand) Co., Ltd.  
 Vietnam : IWAKI Pumps Vietnam Co., Ltd.

TEL: (1)508 429 1440 FAX: 508 429 1386  
 TEL: (54)11 4745 4116  
 TEL: (65)6316 2028 FAX: 6316 3221  
 TEL: (62)21 6906606 FAX: 21 6906612  
 TEL: (60)3 7803 8807 FAX: 3 7803 4800  
 TEL: (61)2 9899 2411 FAX: 2 9899 2421  
 TEL: (852)2607 1168 FAX: 2607 1000  
 TEL: (86)20 84350603 FAX: 20 84359181  
 TEL: (86)21 6272 7502 FAX: 21 6272 6929  
 TEL: (82)2 2630 4800 FAX: 2 2630 4801  
 TEL: (886)2 8227 6900 FAX: 2 8227 6818  
 TEL: (66)2 322 2471 FAX: 2 322 2477  
 TEL: (84)613 933456 FAX: 613 933399

( )Country codes

**Caution for safety use:** Before use of pump, read instruction manual carefully to use the product correctly.  
 Actual pumps may differ from the photos. Specifications and dimensions are subject to change without prior notice. For further details please contact us.

**Legal attention related to export.**  
 Our products and/or parts of products fall in the category of goods contained in control list of international regime for export control. Please be reminded that export license could be required when products are exported due to export control regulations of countries.

