

**IWAKI GAS-LIQUID
TRANSFER PUMPS**
APN-P60-W

**Air pumps which can pump both gas & liquid
Dual head type with a BLDC motor**
Dual head

A motor drives two pump heads.
Dual head doubles its flow rate, twice larger than the APN-60.
Each head can deliver different liquids.

Long life

Use of BLDC motor.
Brushless motors drastically extend service life to the same level as the AC motor.

Control functions

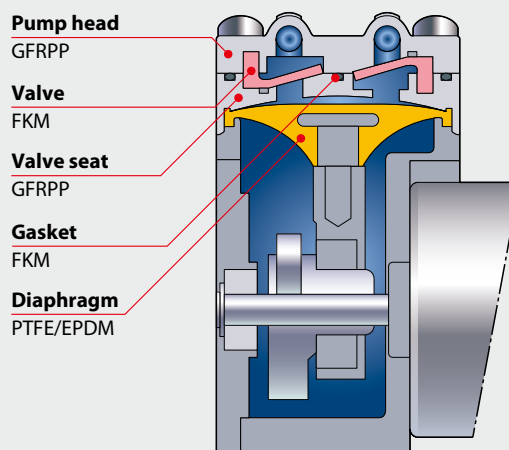
Variable speed control with 1 to 5VDC signal.
The 1 to 5V signal lead wire can be directly connected to the 24VDC power terminal to run the pump at the max speed (in this case, speed control is not available.)

Low noise

Use of brushless motors can reduce operating noise to a lower level than brush motors.

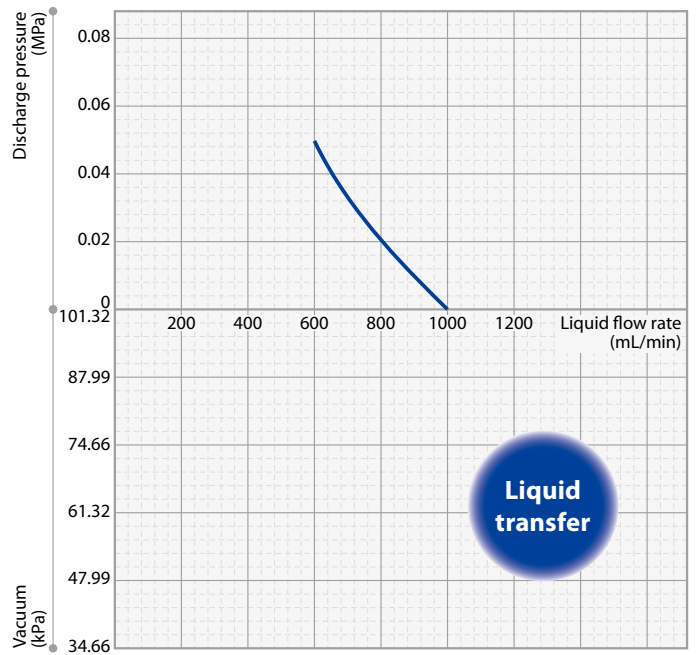
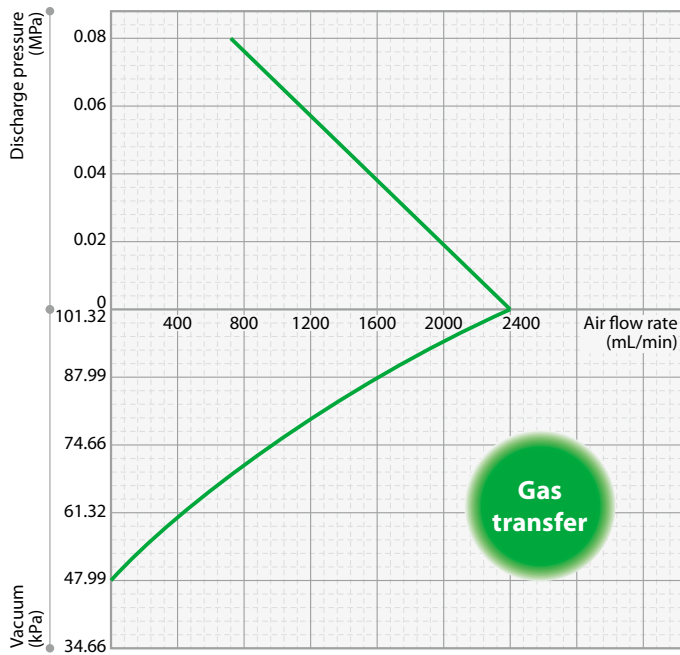
Built-in drive circuit

The motor with a built-in drive circuit eliminates wiring steps.
Fitted to 24VDC power supply free from AC power limitations.

Construction and materials

Applications

- Built into various devices including medical equipment and clinical chemistry analysers.
- Waste liquid collection (clinical chemistry analyzer)
- Cleaning liquid delivery (clinical chemistry analyzer)

Performance curves



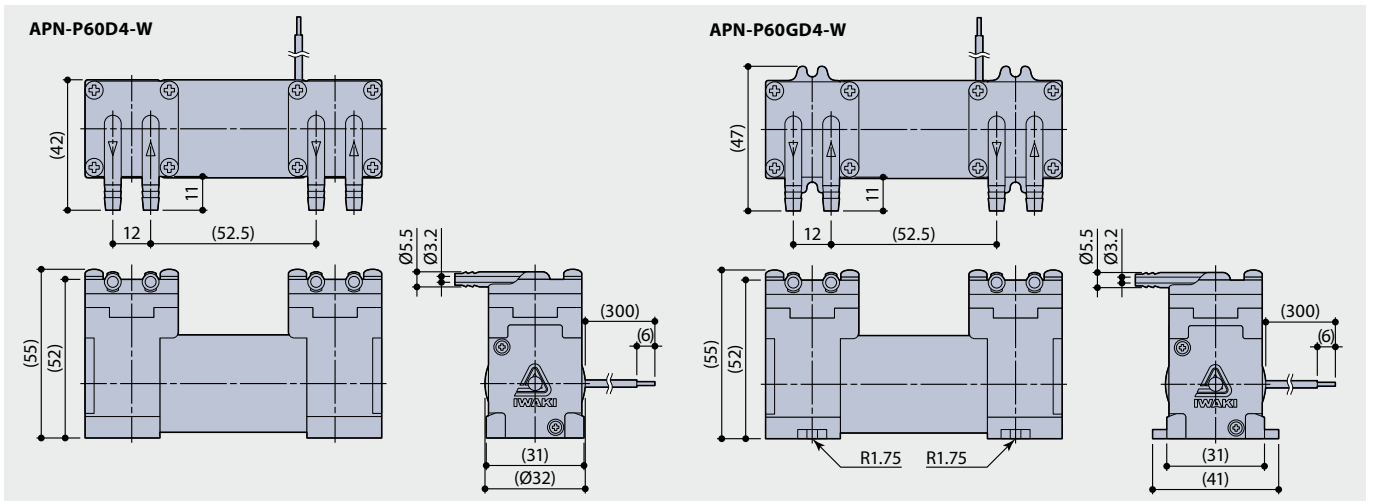
Specifications

Gas transfer	Max. flow	mL/min	2400
	Max. discharge pressure	MPa	0.08
	Max. vacuum	kPa	47.99
	Handling gas temp.	°C	5 to 40
Liquid transfer	Max. flow ^{Note}	mL/min	1000
	Max. discharge pressure	MPa	0.05
	Handling liquid temp.	°C	10 to 40

Motor	Output	W	16
	Power consumption ^{Note}	W	20.6
	Rated current ^{Note}	A	0.86
	Rated voltage	V	DC24
Mass	g	240	

Note: liquid temperature 20 °C

Dimension in mm



IWAKI CO., LTD.

6-6 Kanda-Sudacho 2-chome Chiyoda-ku Tokyo 101-8558 Japan TEL : (81)3 3254 2935 FAX : 3 3252 8892

www.iwakupumps.jp

The posting and copying from this catalogue without permission is not accepted firmly.

European office : IWAKI Europe GmbH
 Germany : IWAKI Europe GmbH
 Holland : IWAKI Europe GmbH (Netherlands Branch)
 Italy : IWAKI Europe GmbH (Italy Branch)
 Spain : IWAKI Europe GmbH (Spain Branch)
 Belgium : IWAKI Belgium N.V.
 Denmark : IWAKI Nordic A/S
 Finland : IWAKI Suomi Oy
 France : IWAKI France S.A.
 Norway : IWAKI Norge AS
 Sweden : IWAKI Sverige AB
 U.K. : IWAKI Pumps (UK) Ltd.

TEL: (49)2154 9254 0
 TEL: (49)2154 9254 50
 TEL: (31)547 293 160
 TEL: (39)0444 371 115
 TEL: (34)93 37 70 198
 TEL: (32)13 67 02 00
 TEL: (45)48 24 2345
 TEL: (358)9 2745810
 TEL: (33)1 69 63 33 70
 TEL: (47)23 38 49 00
 TEL: (46)8 511 72900
 TEL: (44)1743 231363

FAX: 2154 9254 48
 FAX: 2154 9254 55
 FAX: 547 292 332
 FAX: 0444 335350
 FAX: 93 47 40 991
 FAX: 13 67 20 30
 FAX: 48 24 2346
 FAX: 9 2742715
 FAX: 1 64 49 92 73
 FAX: 23 38 49 01
 FAX: 8 511 72922
 FAX: 1743 366507

U.S.A. : IWAKI America Inc.
 Argentina : IWAKI America Inc. (Argentina Branch)
 Singapore : IWAKI Singapore Pte Ltd.
 Indonesia : IWAKI Singapore (Indonesia Branch)
 Malaysia : IWAKI Sdn. Bhd.
 Australia : IWAKI Pumps Australia Pty Ltd.
 Hong Kong : IWAKI Pumps Co., Ltd.
 China : GFTZ IWAKI Engineering & Trading Co., Ltd.
 : IWAKI Pumps (Shanghai) Co., Ltd.
 Korea : IWAKI Korea Co., Ltd.
 Taiwan : IWAKI Pumps Taiwan Co., Ltd.
 Thailand : IWAKI (Thailand) Co., Ltd.
 Vietnam : IWAKI Pumps Vietnam Co., Ltd.

TEL: (1)508 429 1440
 TEL: (54)11 4745 4116
 TEL: (65)6316 2028
 TEL: (62)21 6906606
 TEL: (60)3 7803 8807
 TEL: (61)2 9899 2411
 TEL: (852)2607 1168
 TEL: (86)20 84350603
 TEL: (86)21 6272 7502
 TEL: (82)2 2630 4800
 TEL: (886)2 8227 6900
 TEL: (66)2 322 2471
 TEL: (84)613 933456

FAX: 508 429 1386
 FAX: 6316 3221
 FAX: 21 6906612
 FAX: 3 7803 4800
 FAX: 2 9899 2421
 FAX: 2607 1000
 FAX: 20 84359181
 FAX: 21 6272 6929
 FAX: 2 2630 4801
 FAX: 2 8227 6818
 FAX: 2 322 2477
 FAX: 613 933399

()Country codes

Caution for safety use: Before use of pump, read instruction manual carefully to use the product correctly.
 Actual pumps may differ from the photos. Specifications and dimensions are subject to change without prior notice. For further details please contact us.

Legal attention related to export.
 Our products and/or parts of products fall in the category of goods contained in control list of international regime for export control.
 Please be reminded that export license could be required when products are exported due to export control regulations of countries.

