

Magnetic drive pump made of PP

Max.

8000

L/min

High flow rate !!



A larger size PP magnetic drive pump with higher flow capability is now available!

A new model, MX-505 model has been added to the MX line. It offers higher flow rates while maintaining design features consistent with the existing sizes including the patented self-radiating and non-contact dry run rated bearing system.

Adjustable flanged connections for easy piping installation

The adjustable flange design allows for easier installation in piping systems than with fixed position threaded flanges. When making piping connections to the pump the bolt positions on the pump flanges can be easily rotated to line up with the fixed piping without having to rotate the pipe itself. This allows for fast efficient connections during installation.

Integral Base

Similar to larger process pump designs, the MX-505's base is integrated into the cast bracket.

Self-radiating Design (patented)

This design feature enables efficient removal of frictional heat generated in the bearing system during abnormal operation. This is accomplished by forcing liquid through the bearing system and out heat dispersion holes at the front of the magnet capsule. This additional cooling circuit reduces localized heat buildup preventing thermal deformation and melting of the molded parts.



Non-contact Design

With defined placement of the driven and drive magnets, the axial position of the inner magnet capsule is magnetically controlled. This prevents the rear thrust bearing and the rear of the radial bearing from coming into contact, even during a dry-run situation. As a result, this reduces friction heat buildup and ensures that the passage is cooled and lubricated.

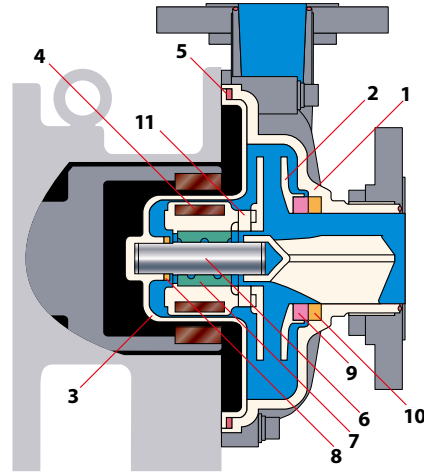
Robust structure

- The pump incorporates a reinforced ribbed front casing, a reinforced rear casing and a cast mounting bracket offering improved hydraulic pressure capability and increased mechanical strength.
- The press fit radial bearings is fully captive inside the magnet capsule impeller assembly improving the reliability at elevated temperatures. The impeller is secured in place with locking pins to securely fix the assembly together.

Constructions and materials

Materials	CV/CE	RV/RE
1 Front casing		GFRPP
2 Impeller		GFRPP
3 Rear casing		GFRPP
4 Magnet capsule		PP
5 O ring <small>Note</small>		FKM(EPDM)
6 Spindle		High-purity alumina ceramic
7 Bearing	Carbon	PTFE (with filler)
8 Rear thrust		CFRPEEK
9 Mouth ring		PTFE (with filler)
10 Liner ring		High-purity alumina ceramic
11 Lock pin		GFRPPS

Note: An O-ring made of AFLAS® is also available



Pump Identification

MX - 505 CV 5 C - 2 S

- Series symbol
MX: Material of Casing/GFRPP
- Pump size
505
- Materials for Bearing/Spindle/O-ring
CV, CE: Carbon/High-purity alumina ceramic/FKM(EPDM)
RV, RE: PTFE (with filler)/High-purity alumina ceramic/FKM(EPDM)
- Impeller mark
5: 50Hz only
6: 60Hz only
- Motor specification
No mark: TEFC indoor
C: TEFC outdoor
A: Explosion-proof type with increased safety
- Motor
2: 3-phase 200/200/220V
3: 3-phase 220/380V
6: 3-phase 380V
7: 3-phase 400V
- Special specification
No mark: Standard
S: Order-made specification

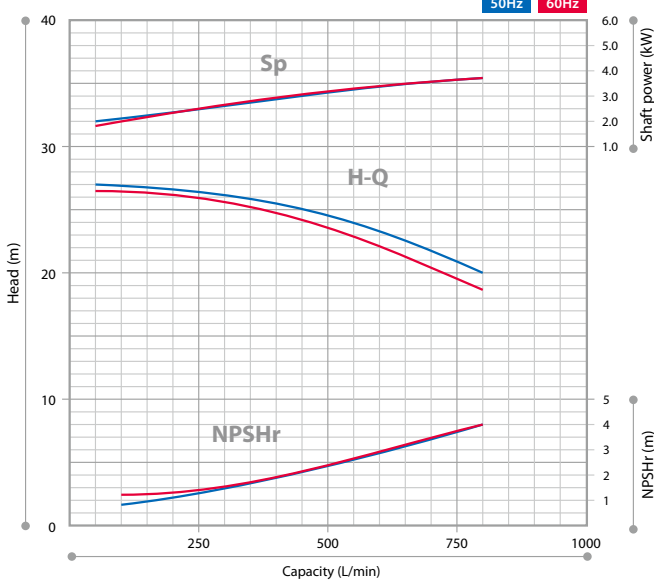
Specifications

Model	Connection Suction×Discharge	Limit of specific gravity <small>Note</small>	Maximum capacity L/min	Standard capacity L/min - m	Motor kW	Mass kg
MX-505	65A×50A	1.2	800	500 - 24.5/23.5	3.7	53.5

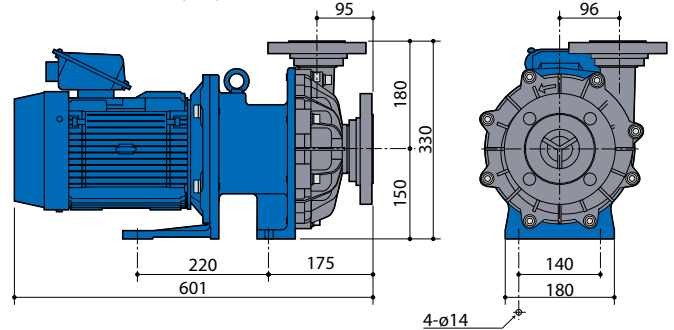
50/60Hz

Note: The specific gravity limit value shown above applies to end of curve operation. The specific gravity limit varies with each application. For details, please contact us.
 • The temperature range for liquids: 0 to 80 °C (Depending on the fluid properties). The range for AFLAS® O-rings is 10 to 80 °C.
 • Ambient temperature range: 0 to 40 °C

Performance curves



Dimensions (mm)



IWAKI CO., LTD. 6-6 Kanda-Sudacho 2-chome Chiyoda-ku Tokyo 101-8558 Japan
 TEL: (81)3 3254 2935 FAX: 3 3252 8892

()Country codes

IWAKI has global net work. Please find your distributor location at

www.iwakupumps.jp

European office : **IWAKI Europe GmbH**
 Germany : **IWAKI Europe GmbH**
 Holland : **IWAKI Europe GmbH** (Netherlands Branch)
 Italy : **IWAKI Europe GmbH** (Italy Branch)
 Spain : **IWAKI Europe GmbH** (Spain Branch)
 Belgium : **IWAKI Belgium N.V.**
 Denmark : **IWAKI Nordic A/S**
 Finland : **IWAKI Suomi Oy**
 France : **IWAKI France S.A.**
 Norway : **IWAKI Norge AS**
 Sweden : **IWAKI Sverige AB**
 U.K. : **IWAKI Pumps (UK) Ltd.**

TEL: (49)2154 9254 0 FAX: 2154 9254 48
 TEL: (49)2154 9254 50 FAX: 2154 9254 55
 TEL: (31)74 2420011 FAX: (49)2154 925448
 TEL: (39)0444 371115 FAX: 0444 335350
 TEL: (34)93 37 70 198 FAX: 93 47 40 991
 TEL: (32)13 67 02 00 FAX: 13 67 20 30
 TEL: (45)48 24 2345 FAX: 48 24 2346
 TEL: (358)9 2745810 FAX: 9 2742715
 TEL: (33)1 69 63 33 70 FAX: 1 64 49 92 73
 TEL: (47)23 38 49 00 FAX: 23 38 49 01
 TEL: (46)8 511 72900 FAX: 8 511 72922
 TEL: (44)1743 231363 FAX: 1743 366507

U.S.A. : **IWAKI America Inc.**
 Argentina : **IWAKI America Inc.** (Argentina Branch)
 Singapore : **IWAKI Singapore Pte Ltd.**
 Indonesia : **IWAKI Singapore** (Indonesia Branch)
 Malaysia : **IWAKI M Sdn. Bhd.**
 Australia : **IWAKI Pumps Australia Pty Ltd.**
 Hong Kong : **IWAKI Pumps Co., Ltd.**
 China : **GFTZ IWAKI Engineering & Trading Co., Ltd.**
 : **IWAKI Pumps (Shanghai) Co., Ltd.**
 Korea : **IWAKI Korea Co., Ltd.**
 Taiwan : **IWAKI Pumps Taiwan Co., Ltd.**
 Thailand : **IWAKI (Thailand) Co., Ltd.**
 Vietnam : **IWAKI Pumps Vietnam Co., Ltd.**

TEL: (1)508 429 1440 FAX: 508 429 1386
 TEL: (54)11 4745 4116 FAX: 6316 3221
 TEL: (65)6316 2028 FAX: 21 6906612
 TEL: (62)21 6906606 FAX: 3 7803 4800
 TEL: (60)3 7803 8807 FAX: 2 9899 2421
 TEL: (61)2 9899 2411 FAX: 2607 1000
 TEL: (852)2607 1168 FAX: 20 84359181
 TEL: (86)20 84350603 FAX: 21 6272 6929
 TEL: (86)21 6272 7502 FAX: 2 2630 4801
 TEL: (82)2 2630 4800 FAX: 2 8227 6818
 TEL: (886)2 8227 6900 FAX: 2 322 2477
 TEL: (66)2 322 2471 FAX: 2 322 2477
 TEL: (84)613 933456 FAX: 613 933399

Caution for safety use:
 Before use of pump, read instruction manual carefully to use the product correctly.

Legal attention related to export.

Our products and/or parts of products fall in the category of goods contained in control list of international regime for export control. Please be reminded that export license could be required when products are exported due to export control regulations of countries.

Actual pumps may differ from the photos. Specifications and dimensions are subject to change without prior notice. For further details please contact us.

