

IWAKI
HI-CERA
PUMPS

V-07AEP06-P



High precision metering pump optimized for immunoassay analyzers

Example of applications: Fixed quantity reagent injection, cleaning solution management, buffer solution management, fixed saline injection, etc.

Variable discharge

A discharge rate of 0.1, 0.2, or 0.3 milliliters per shot can be selected by adjusting the angle setting on the pump head. (Configurable at time of order)

High corrosion resistance

The ECTFE pump head allows for the delivery of strong alkaline.

Cleaning port

The cleaning port prevents seizing of the plunger. The plunger surface is kept clean at all times, allowing it to operate freely whenever needed.

High torque motor

The V-07AEP06 is equipped with a bipolar stepper motor. The motor generates approximately twice the torque output, with the same electric current, than the conventional unipolar motor. This eliminates problems such as plunger lock.

Rotation sensor

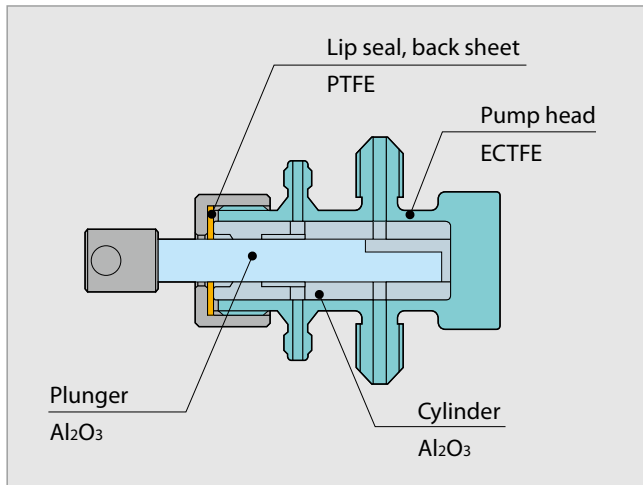
With an integrated standard rotation sensor, the pump quickly detects errors and easily monitors discharge rates.

Specifications

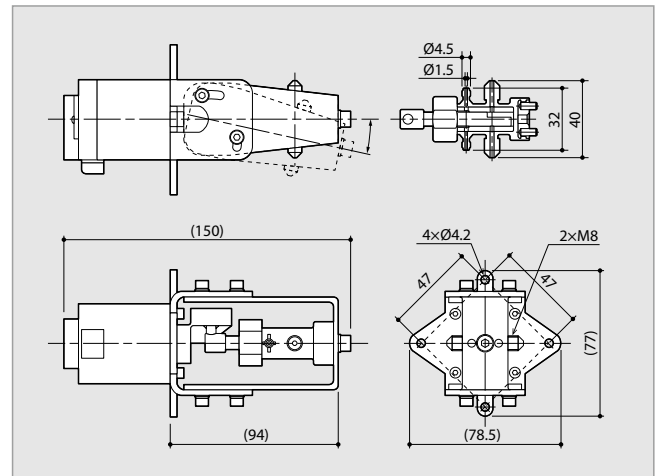
Model	V - 07 A E P 06 - P		
	01	02	03
1 shot flow	0.1 mL	0.2 mL	0.3 mL
Flow rate	0.5 to 30 mL/min	1.0 to 60 mL/min	1.5 to 90 mL/min
Stroke rate	5 to 300 rpm		
Precision dosing	±1.5 % ^{Note}		
Max. discharge pressure	150 kPa		
Liquid temperature	0 to 60 °C		
Atmosphere temperature	0 to 40 °C		
Weight	700 g		
Dimensions	150 mm × 79 mm × 77 mm		
Motor	2-phase bipolar stepper motor		
Power voltage range	24 VDC ±10%		

Note: Operated under the following conditions: 100 rpm speed, 10 shots and no pressure.

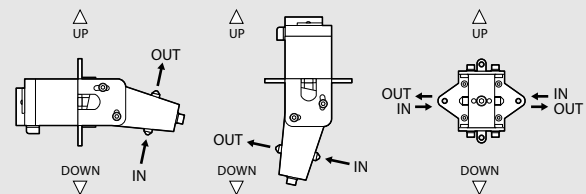
Wet end materials



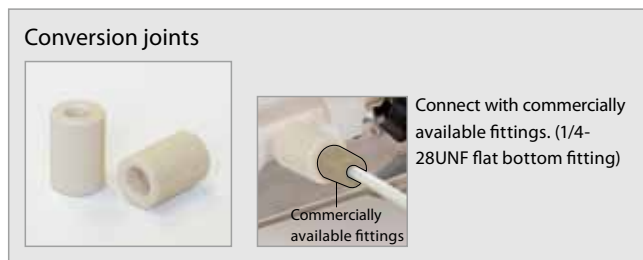
Dimensions in mm



Mounting directions



Optional accessory



IWAKI CO., LTD. 6-6 Kanda-Sudacho 2-chome Chiyoda-ku Tokyo 101-8558 Japan
 TEL : (81)3 3254 2935 FAX : 3 3252 8892 ()Country codes

IWAKI has global net work. Please find your distributor location at www.iwakupumps.jp

European office : **IWAKI Europe GmbH**
 Germany : **IWAKI Europe GmbH**
 Holland : **IWAKI Europe GmbH** (Netherlands Branch)
 Italy : **IWAKI Europe GmbH** (Italy Branch)
 Spain : **IWAKI Europe GmbH** (Spain Branch)
 Belgium : **IWAKI Belgium N.V.**
 Denmark : **IWAKI Nordic A/S**
 Finland : **IWAKI Suomi Oy**
 France : **IWAKI France S.A.**
 Norway : **IWAKI Norge AS**
 Sweden : **IWAKI Sverige AB**
 U.K. : **IWAKI Pumps (UK) Ltd.**

TEL: (49)2154 9254 0 FAX: 2154 9254 48
 TEL: (49)2154 9254 50 FAX: 2154 9254 55
 TEL: (31)74 2420011 FAX: (49)2154 925448
 TEL: (39)0444 371115 FAX: 0444 335350
 TEL: (34)93 37 70 198 FAX: 93 47 40 991
 TEL: (32)13 67 02 00 FAX: 13 67 20 30
 TEL: (45)48 24 2345 FAX: 48 24 2346
 TEL: (358)9 2745810 FAX: 9 2742715
 TEL: (33)1 69 63 33 70 FAX: 1 64 49 92 73
 TEL: (47)23 38 49 00 FAX: 23 38 49 01
 TEL: (46)8 511 72900 FAX: 8 511 72922
 TEL: (44)1743 231363 FAX: 1743 366507

U.S.A. : **IWAKI America Inc.**
 Argentina : **IWAKI America Inc.** (Argentina Branch)
 Singapore : **IWAKI Singapore Pte Ltd.**
 Indonesia : **IWAKI Singapore** (Indonesia Branch)
 Malaysia : **IWAKI Sdn. Bhd.**
 Australia : **IWAKI Pumps Australia Pty Ltd.**
 Hong Kong : **IWAKI Pumps Co., Ltd.**
 China : **GFTZ IWAKI Engineering & Trading Co., Ltd.**
 : **IWAKI Pumps (Shanghai) Co., Ltd.**
 Korea : **IWAKI Korea Co., Ltd.**
 Taiwan : **IWAKI Pumps Taiwan Co., Ltd.**
 Thailand : **IWAKI (Thailand) Co., Ltd.**
 Vietnam : **IWAKI Pumps Vietnam Co., Ltd.**

TEL: (1)508 429 1440 FAX: 508 429 1386
 TEL: (54)11 4745 4116
 TEL: (65)6316 2028 FAX: 6316 3221
 TEL: (62)21 6906606 FAX: 21 6906612
 TEL: (60)3 7803 8807 FAX: 3 7803 4800
 TEL: (61)2 9899 2411 FAX: 2 9899 2421
 TEL: (852)2607 1168 FAX: 2607 1000
 TEL: (86)20 84350603 FAX: 20 84359181
 TEL: (86)21 6272 7502 FAX: 21 6272 6929
 TEL: (82)2 2630 4800 FAX: 2 2630 4801
 TEL: (886)2 8227 6900 FAX: 2 8227 6818
 TEL: (66)2 322 2471 FAX: 2 322 2477
 TEL: (84)613 933456 FAX: 613 933399

Caution for safety use: Before use of pump, read instruction manual carefully to use the product correctly. Actual pumps may differ from the photos. Specifications and dimensions are subject to change without prior notice. For further details please contact us.

Legal attention related to export. Our products and/or parts of products fall in the category of goods contained in control list of international regime for export control. Please be reminded that export license could be required when products are exported due to export control regulations of countries.

The posting and copying from this catalogue without permission is not accepted firmly.

